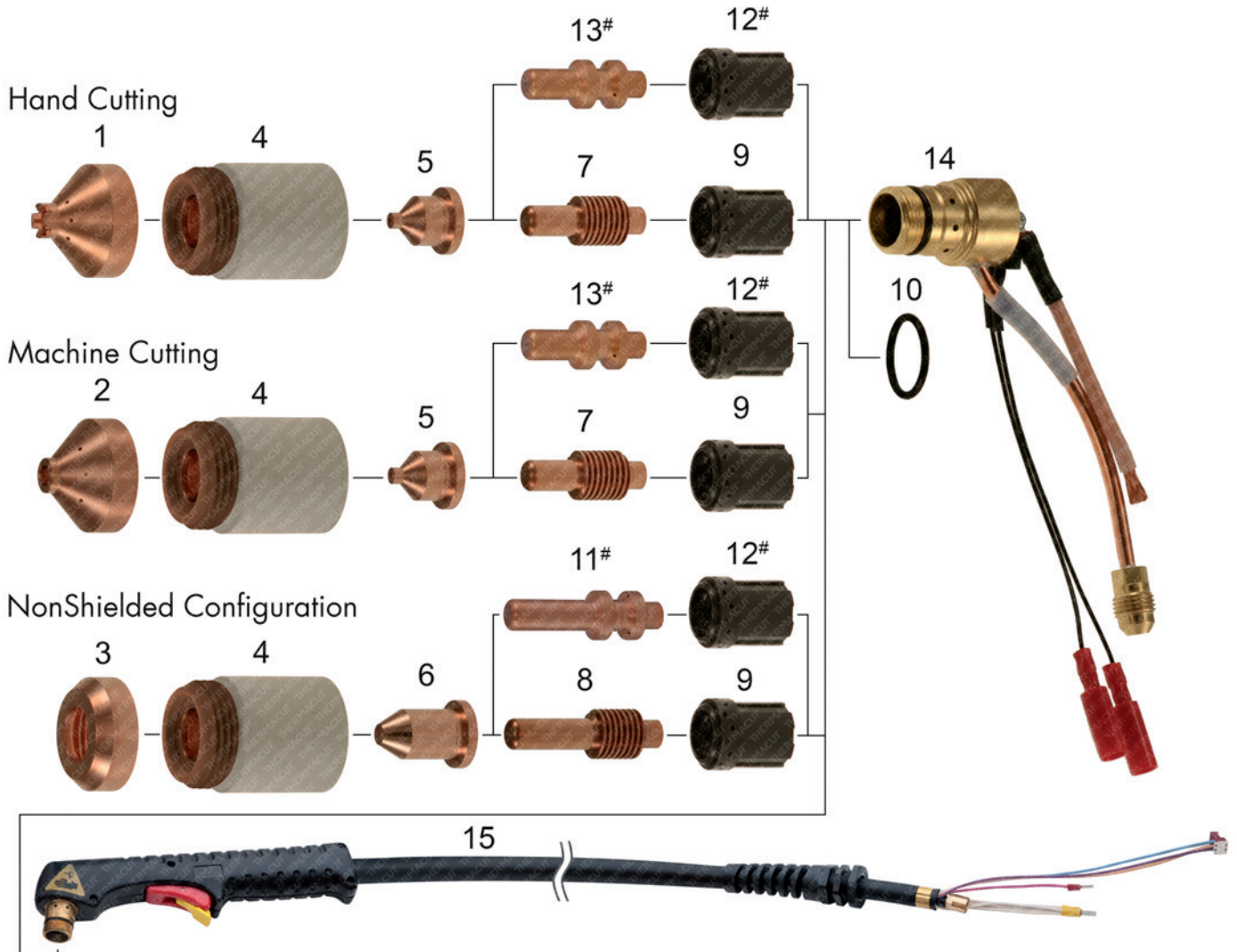


# REPLACEMENT PARTS SUITABLE FOR Hypertherm®

POWERMAX® 600  
PAC® 123T/M



Last update of this page: 18/11/2016. See Revision history for details.

**THERMACUT®**  
THE CUTTING COMPANY

WWW.THERMACUT.CZ  
TEL.: +420 556 423 418  
SALES@THERMACUT.CZ

WWW.THERMACUT.DE  
TEL.: +49 (0) 27 39 40 33 0  
INFO@THERMACUT.DE

WWW.THERMACUT.COM  
TEL.: 1-603-542-6715  
CUSTOMERSERVICE@THERMACUT.COM

THERMACUT®, FHT-EX® AND EX-TRAFIRE® ARE REGISTERED TRADEMARKS OF THERMACUT S. R. O. AND MAY BE REGISTERED IN CZECH REPUBLIC AND/OR OTHER COUNTRIES. ALL OTHER TRADEMARKS ARE PROPERTIES OF THEIR RESPECTIVE OWNERS. THERMACUT IS NO WAY AFFILIATED WITH Hypertherm®. MOST THERMACUT PARTS ARE MADE FOR OR BY AN IBG COMPANY. PARTS INDICATED WITH A OEM ARE ORIGINAL PARTS MANUFACTURED BY THE ABOVE NAMED MANUFACTURER AND ARE BEING RESOLD BY THERMACUT. THERMACUT RESERVES THE RIGHT TO SUBSTITUTE OEM PARTS IN PLACE OF THERMACUT PARTS. VALID FROM NOVEMBER 2016 • PREVIOUS VERSION IS NO LONGER VALID. • © COPYRIGHT 2016 BY THERMACUT® CZECH REPUBLIC. ALL RIGHTS RESERVED.

# REPLACEMENT PARTS SUITABLE FOR Hypertherm®

POWERMAX® 600  
PAC®123T/M

Item	Part No.	Ref. No.	Description	Std. Pkg.	Item	Part No.	Ref. No.	Description	Std. Pkg.
*1.	T-9827*	120828-UR	Shield 40A, Hand	1	10.	T-0038	044016	O-Ring	1
*2.	T-10727*	120827-UR	Shield 40A, Machine	1	#11.	T-4451#	120574-UR	Electrode, Extended, Long Life	5
3.	T-1564	120303	Deflector	1	#12.	T-4453#	120576-UR	Swirl Ring, Long Life	2
4.	T-12045	120600	Retaining Cap	1	#13.	T-4450#	120573-UR	Electrode, Long Life	5
5.	T-2847	120826	Nozzle 40A	5	14.	T-10269	120570	Torch Main Body with Safety Switch	1
6.	T-3418	120606	Nozzle 35A, Extended	10	NS	KT-1334	129476	PAC®123T Cable Leads, Hand 7,6m (25')	1
7.	T-3419	120573	Electrode	5	15.	KT-1333	086002	PAC®123T Hand Torch with Lead 7,6m (25')	1
8.	T-2298	120574	Electrode, Extended	5	NS	KT-1448	086024	PAC®123T H. Torch with Lead 7,6m (25'), Centr.Conn.	1
9.	T-2230	120576	Swirl Ring	2	Different types of cable leads available on request				

\* FULLY INTERCHANGEABLE AND COMPATIBLE WITH ORIGINAL PARTS, BUT DIFFERS FROM ORIGINAL DESIGN

# MUST BE USED ONLY AS THE SET OF ELECTRODE & SWIRL RING LIKE SHOWN IN THE PICTURE (-UR DESIGN VERSION OR OEM VERSION), SET OFFERS LIFETIME LONGER UP TO 50%

NS NOT SHOWN IN THE PICTURE

SMART SOLUTION - DESIGN IMPROVEMENTS THAT BRINGS ADDED VALUE SUCH AS IMPROVED LIFETIME OF CONSUMABLES, EXCELLENT CUT QUALITY, SPEED OR BETTER COST EFFECTIVENESS OF YOUR SYSTEM

**Last update of this page: 18/11/2016. See Revision history for details.**

**THERMACUT®**  
THE CUTTING COMPANY

WWW.THERMACUT.CZ  
TEL.: +420 556 423 418  
SALES@THERMACUT.CZ

WWW.THERMACUT.DE  
TEL.: +49 (0) 27 39 40 33 0  
INFO@THERMACUT.DE

WWW.THERMACUT.COM  
TEL.: 1-603-542-6715  
CUSTOMERSERVICE@THERMACUT.COM

THERMACUT®, FHT-EX® AND EX-TRAFIRE® ARE REGISTERED TRADEMARKS OF THERMACUT S. R. O. AND MAY BE REGISTERED IN CZECH REPUBLIC AND/OR OTHER COUNTRIES. ALL OTHER TRADEMARKS ARE PROPERTIES OF THEIR RESPECTIVE OWNERS. THERMACUT IS NO WAY AFFILIATED WITH Hypertherm®. MOST THERMACUT PARTS ARE MADE FOR OR BY AN IBG COMPANY. PARTS INDICATED WITH A OEM ARE ORIGINAL PARTS MANUFACTURED BY THE ABOVE NAMED MANUFACTURER AND ARE BEING RESOLD BY THERMACUT. THERMACUT RESERVES THE RIGHT TO SUBSTITUTE OEM PARTS IN PLACE OF THERMACUT PARTS. VALID FROM NOVEMBER 2016 • PREVIOUS VERSION IS NO LONGER VALID. • © COPYRIGHT 2016 BY THERMACUT® CZECH REPUBLIC. ALL RIGHTS RESERVED.